



CLEAN INDIA

Mfrs. of Cleaning Automation Products

GREEN INDIA



An ISO 9001 - 2015 Certified Company

THREE PHASE INDUSTRIAL VACUUM CLEANER





THREE PHASE INDUSTRIAL VACUUM CLEANER

CLEANTEK manufacturing Three Phase Industrial vacuum Cleaner for floor Cleaning, Foundry sand Cleaning, Metal chips extraction, wall cleaning, Roof cleaning, machine cleaning etc..

In all industry maintaining a clean workplace may help keep work members safe, healthy and efficient. So clean workplace is most important in Industry. Hence maintaining a clean workplace with industrial vacuum cleaning is vital for employers to reduce their workers accident issues and increase employee skills efficiency. Heavy duty industrial vacuum cleaner helps to clean easily for big floors and critical cleaning places.

Cleantek design and manufacturing industrial heavy duty three phase vacuum cleaners for continuous duty cleaning applications..Our model was developed to meet the requirements for vacuuming dust and powder, solid and liquid materials and is equipped with direct drive induction vacuum motor (IE2) which requires no maintenance. It is made for heavy duty application. The frame with caster simultaneously provides for maximum stability and mobility of the industrial vacuum cleaner. The total unit is epoxy powder coated and total unit is attached with heavy duty portable wheels. Lot of foundries using our continuous rated foundry vacuum cleaner for their big floor cleaning.

MODELS



IVC100



IVC200



IVC300/IVC500



IVC700/IVC1000



IVCW300 / IVCW500



IVCW700



IVCW1000



IVC300FLP



IVC300VSS



IVC500HSS



IVCW15000

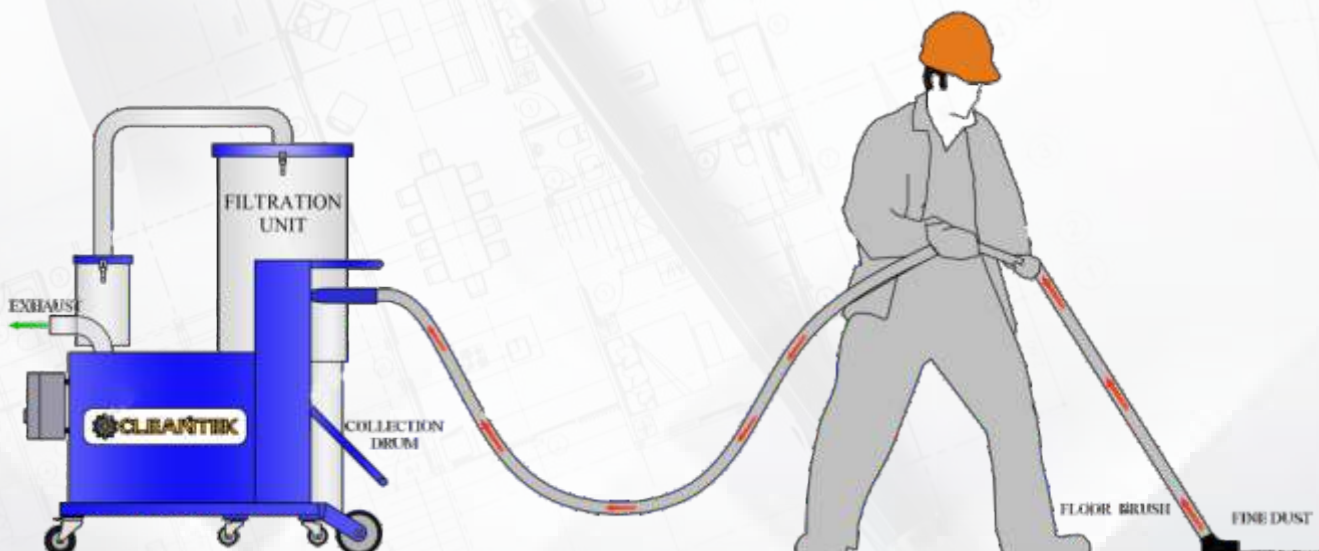
FEATURES:

- Direct drive vacuum pump & Suitable for Continuous duty
- High suction capacity & Low noise level
- Large Filtration Area
- Variety of accessories
- Easy disposal of waste
- Electrical control panel
- Heavy-duty construction & Power cable attached
- Heavy duty wheels for easy move

APPLICATIONS:

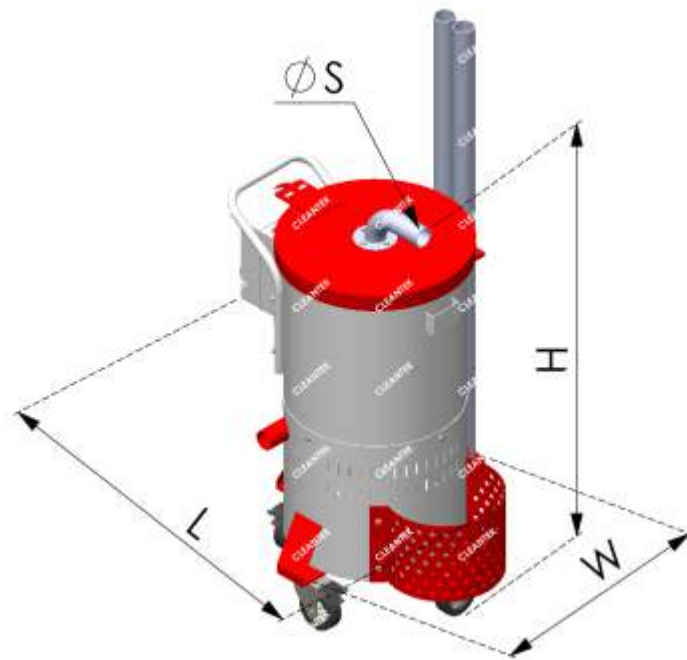
- Floor and walls cleaning
- High Roof cleaning
- Textile looms cleaning
- Spinning and Doubling cleaning
- Fabric cleaning
- Polyester Fabric cleaning
- Machines and other parts cleaning
- Oil / water / Liquid cleaning
- Continuous suction requirements

INDUSTRIAL VACUUM CLEANER (WET & DRY)



IVC Models

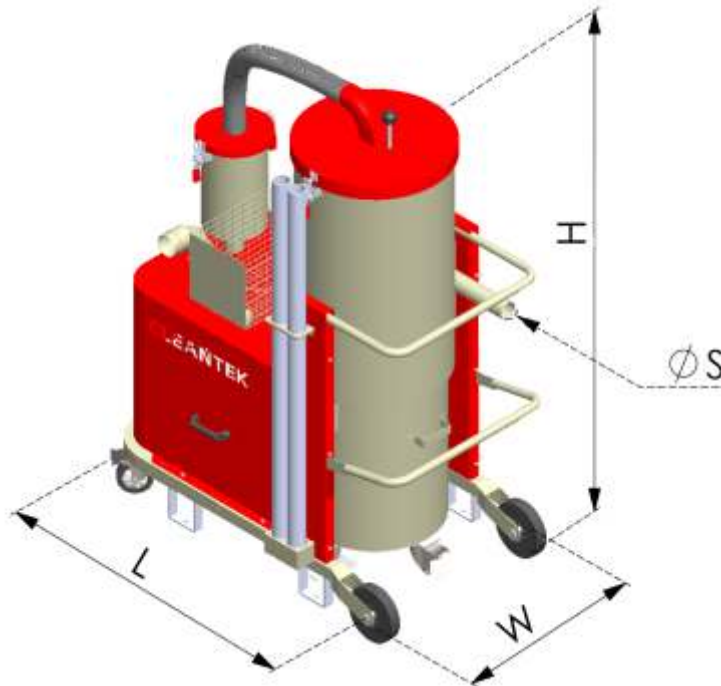
Dimension View



| | | | | | | | |
|---------------|--------------|---------|-----|-----|------|----------|------------------|
| Machine Name | IVC(100-500) | MODEL | L | W | H | ϕS | Noise Level (db) |
| RPM | 2880 | IVC 100 | 700 | 545 | 1010 | 48 | <70 |
| Suction Inlet | ϕS | IVC 200 | 800 | 650 | 1205 | 48 | <75 |
| | | IVC 300 | 815 | 700 | 1335 | 48 | <75 |
| | | IVC 500 | 900 | 750 | 1405 | 48 | <80 |

All Dimensions are in mm

IVCW Models - Dimension View



| MODEL | L | W | H | ϕS |
|------------|------|-----|------|----------|
| IVCW 300 | 1100 | 585 | 1550 | 48 |
| IVCW 500 | 1100 | 585 | 1550 | 48 |
| IVCW 700 | 1360 | 720 | 1550 | 58 |
| IVCW 15000 | 1525 | 805 | 1750 | 58 |

All Dimensions are in mm

TECHNICAL SPECIFICATION

Three Phase Dry vacuum cleaner

| PARAMETERS | IVC200 | IVC300 | IVC500 | IVC700 |
|---------------------------|------------------------------|------------------------------|------------------------------|------------------------------|
| Motor Power in HP | 2 | 3 | 5 | 7.5 |
| olts/Hz | 415/50 | 415/50 | 415/50 | 415/50 |
| Collection tank in Litres | 30 | 40 | 50 | 60 |
| Airflow in m ³ | 210 | 230 | 320 | 530 |
| Vacuum in mm of Wg | 2000 | 2200 | 2900 | 3000 |
| Suction inlet size in mm | 50 | 50 | 50 | 50 |
| Type of motor | Direct drive induction motor | Direct drive induction motor | Direct drive induction motor | Direct drive induction motor |
| Max vacuum in mm of Wg | 2100 | 2100 | 2500 | 3000 |
| Model | Dry Application Use | Dry Application Use | Dry Application Use | Dry Application Use |
| Electrical cable in meter | 10 | 10 | 10 | 10 |
| Duty | Continuous working | Continuous working | Continuous working | Continuous working |
| Filtration | Pleated cloth filter | Pleated cloth filter | Pleated cloth filter | Pleated cloth filter |

Special models available as per request please consult our factory

TECHNICAL SPECIFICATION

Three Phase Wet & Dry vacuum cleaner

| PARAMETERS | IVCW200 | IVCW300 | IVCW500 | IVCW700 |
|---------------------------|------------------------------|------------------------------|------------------------------|------------------------------|
| Motor Power in HP | 2 | 3 | 5 | 7.5 |
| Volts/Hz | 415/50 | 415/50 | 415/50 | 415/50 |
| Collection tank in Litres | 30 | 40 | 50 | 60 |
| Airflow in m ³ | 210 | 230 | 320 | 530 |
| Vacuum in mm of Wg | 2000 | 2200 | 2900 | 3000 |
| Suction inlet size in mm | 50 | 50 | 50 | 60 |
| Type of motor | Direct drive induction motor | Direct drive induction motor | Direct drive induction motor | Direct drive induction motor |
| Max vacuum in mm of Wg | 2100 | 2100 | 2500 | 3000 |
| Model | Wet & Dry Use | Wet & Dry Use | Wet & Dry Use | Wet & Dry Use |
| Electrical cable in meter | 10 | 10 | 10 | 10 |
| Duty | Continuous working | Continuous working | Continuous working | Continuous working |
| Filtration | Three Stage Filtration | Three Stage Filtration | Three Stage Filtration | Three Stage Filtration |

Special models available as per request please consult our factory

APPLICATION





OUR OTHER PRODUCTS



Air knife



Axial Fan Blower



Centralized Vacuum Cleaner



Wet And Dry Vacuum Cleaner



CNC Oil Mist Collector



Dust collector



Hopper Loaders



Hot air Blower



Oil Sump Cleaner



Paint Booth



Centrifugal Blower



Welding Fume Extractor



Three phase dry Vacuum Cleaner



Wood dust collector



Trim Suction Unit



Wood Dust Collector



Government of India Ministry of Finance

**CERTIFICATE
OF APPRECIATION**

The Central Board of Indirect Taxes and Customs conveys its appreciation to M/s **CLEANTEK** having GST registration number **33AMCPB0547M1ZD** for their prompt filing of returns and payment of Goods and Services Tax upto the year ending 31st March 2021, thereby substantially contributing to building a strong and resilient nation.

M. Ajit Kumar
Chairman (CBIC)

| Sl.No. | DESCRIPTION | CLEANTEK |
|--------|---------------------------------------|--|
| 1 | Date Of Registration of Establishment | 07 – 09 - 2006 |
| 2 | Founder & Chief Executive | A. Krishnamoorthy |
| 3 | Experience In this Field | 25 Years |
| 4 | Date Of Registration of Establishment | Own Building Own R & D Own Manufacturing Facility Assembly & Testing Facility New Developments Support Sales & marketing Installation & Service Support Team |
| 5 | Number Of Employees | 50+ |
| 6 | Installation | Satisfied clients 10,000 + |
| 7 | Head Quarters | Coimbatore |
| 8 | Certification | An ISO 9001-2015 |
| 9 | Quality | Organized & Quality Management System |
| 10 | Branches | Chennai , Bengaluru, Coimbatore |
| 11 | Membership | CODISSIA, SIEMA, ICCI, BIEOA |
| 12 | Registered in Govt | ESI, EPF, NSIC |
| 13 | Trade mark | Registered |
| 14 | Industry | MSME |

THANKS FOR OUR VALUABLE CUSTOMERS

DRESSER-RAND
A Siemens Business



FLOWSERVE

MAHLE



Craftsman
AUTOSERVICETORY

ELGI
Always Better.

MRF



Kanam
KANAM LATES INDUSTRIES PVT LTD



WHEELS INDIA LIMITED

KYB
Our Precision. Your Advantage



Bromvech Pvt Ltd

Hanon
SYSTEMS

MITSUBA
MITSUBA SICAL India Private Limited



Rane
Expanding Horizons



Astrotech Steels
Private Limited

DOOWON

L&T Valves

JK Fenner

BOSCH

EVEREST



ROYAL ENFIELD

TEAL

Shobikaa
DuraNet



SCM Textile Spinning
A Unit of SCZ Textiles (P) Ltd



TITAN



JANATICS
Pneumatic



COMSTAR **PLAST**

IDEX

KOHLER

WOOSU INDIA



PREMIER
eXOLICS

BONFIGLIOLI
Power & Control Solutions

Suprajit

More than 6000+
customers all over India & Abroad



CLICK HERE FOR OUR
FACEBOOK PAGE



www.cleantekindia.com



CLICK HERE FOR OUR
DEMO VIDEOS



+91 9500266693

+91 9994352001 | +91 9894214994



0422-2984994



sales@cleantekindia.com | krishna@cleantekindia.com



COIMBATORE

Head Office

479/4, Site No.22 & 23,
Balaji Industrial Estate,
Kondagampalayam Main Road,
Keeranatham, Saravanampatti Po,
Coimbatore - 641 035,
Tamil Nadu, India.



BANGALORE

Branch Office

C-13, 3rd Floor,
Resident No: 251, Malur Ramaiah
Compound, Jaibheema Nagar,
1st Cross, BTM Layout,
1st Stage Old Madiwala,
Bangalore-560 068, India



CHENNAI

Branch Office

4th Main Rd, Moovendar Nagar,
Bharathi Nagar, Tambaram,
Chennai,
Tamil Nadu-600063, India