



CLEAN INDIA

Mfrs. of Cleaning Automation Products

GREEN INDIA



An ISO 9001 - 2015 Certified Company

**RING BLOWER**





## RING BLOWER

We are the leading Ring blower manufacturers and this blower is a non-positive displacement, high volume, low pressure blower that can be used as either a compressor or a vacuum pump. It is also known by other names such as regenerative blower, Turbine Blower, vortex blower and side-channel blower. This blower is used in aquaculture and electroplating industries for air agitation and water aeration. In aquaculture biofloc plants, our blowers are used for oxygen supply and dissolve in water. We are supplying Airoxi tubes for better aeration of water.

Fish, Prawns, Shrimps need to breathe Oxygen in water. Oxygen enters water by surface agitation and supply air through pipeline inside water. Sufficient oxygen is required for fishes to live in water. Air blowers will lower CO<sub>2</sub> levels through a chemical reaction. Air Blowers provide enough oxygen for your aquarium. Fish, Prawns, Shrimps need to breathe Oxygen in water. Oxygen enters water by aeration. Ring Blowers are used in both vacuum and blowing applications in various processes.



# MODELS

## Single stage model



## Double stage model



## Belt Drive Model



## Explosion Proof



## Accessories fitted view



# TECHNICAL SPECIFICATION

CLEANTEK

Model	Impeller Fan	Frequency	Rated	Voltage	Rated	Max	Rated	Rated	Inlet	Noise	Weight
			Power		current		Inlet pressure	outlet pressure			
	Stage	HZ	KW	V	A	m3/h	mbar	mbar	mm	dB(A)	Kg
025A	Single	50	0.25	230	1	50	-110	110	30	40	7
05A	Single	50	0.4	415	1.5Y	80	-120	130	38	53	10
		50	0.4	230	3	80	-120	130	38	53	10
1A	Single	50	0.75	415	2.2Y	145	-120	120	47	63	13
		50	0.75	230	4.5	145	-120	120	47	63	13
1B	Double	50	0.75	415	2.2Y	88	-210	240	38	55	14
		50	0.75	230	4.5	88	-210	240	38	55	14
085A	Single	50	0.85	415	2.5Y	145	-160	160	47	63	15
		50	0.85	230	5.4	145	-160	160	47	63	15
105A	Single	50	1.3	415	3.5Y	145	-170	200	58	63	17
		50	1.3	230	7.3	210	-170	170	58	63	17
2A	Single	50	1.6	415	4.3Y	210	-200	190	58	64	21
		50	1.6	230	9	210	-200	190	58	64	21
2B	Double	50	1.6	415	4.3Y	150	-280	280	47	66	24
3A	Single	50	2.2	415	5.0Y	305	-200	200	58	68	27
		50	2.2	230	10	270	-230	250	58	68	27
3B	Double	50	2.2	415	5.6Y	150	-330	440	47	66	27
5A	Single	50	4	415	9.0Δ	400	-290	330	58	69	42
5B	Double	50	4	415	5.8Y	230	-390	490	58	72	43
7A	Single	50	5.5	415	12.9Δ	750	-370	570	72	80	65
7B	Double	50	5.5	415	13.3▲	320	-440	500	58	73	70
10A	Single	50	7.5	415	16.7Δ	800	-380	570	72	80	68
10B	Double	50	7.5	415	16.7Δ	350	-440	570	58	73	77
15A	Single	50	12.5	415	28	1050	-290	280	110	74	132



## FEATURES

---

- 100% oil free delivery air
- F Class Insulation winding
- Continous duty motor, IP55 Protection
- Various Frequency 50 HZ & 60 HZ are available
- High quality die cast aluminum material
- Both usage of Compressor and Vacuum pressure (suction and blow).
- Virtually maintenance free, with SKF Double sealed long life bearings.
- Smart, Compact design and Low noise Level
- ATEX Explosion Proof Motor & Belt Drive available
- Anti corrosion blower and special color available

## APPLICATIONS OF AIR BLOWERS:

---

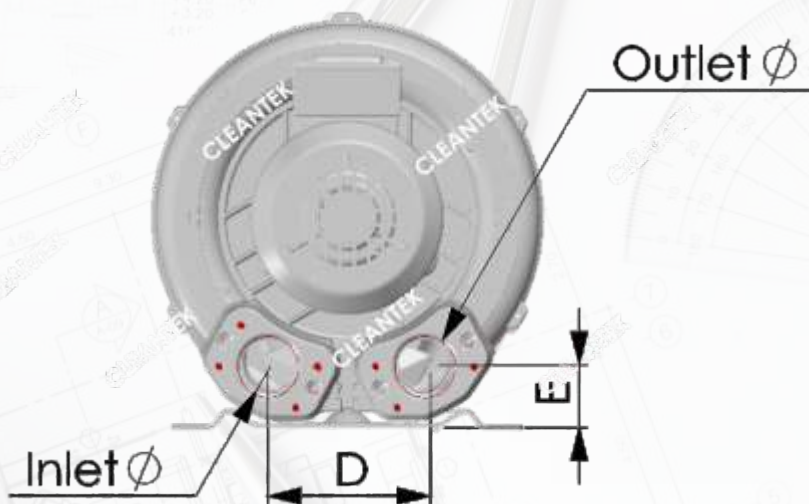
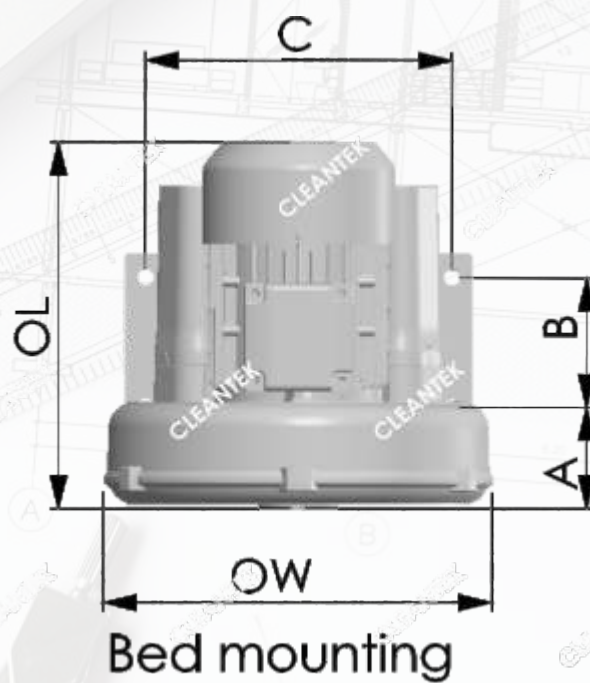
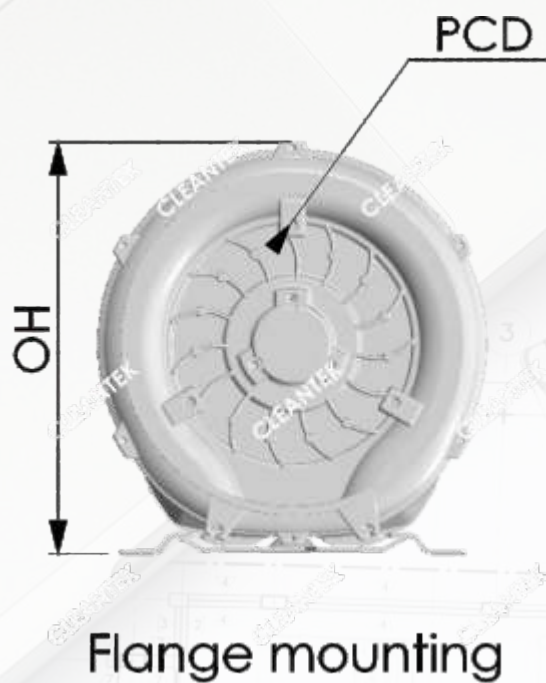
- STP & ETP air supply for agitation
- Biofloc and Fish Pond aeration
- Electropalting air agitation
- Ballon & Gloves testing
- Printing paper pick and Place
- Methane Air supply Aquaculture for water aeration
- Electroplating liquid agitation
- Sewage treatment water agitation
- Material conveying
- Dust collection
- Vacuum cup
- Trim suction
- Pneumatic conveying
- Spa air agitation
- Dental suction
- Vacuum conveying
- Textile yarn suction etc..

## MODELS

---

- Single stage model
- Double stage Model
- Belt Drive Model
- ATEX Model Ring Blower

# Dimensional View

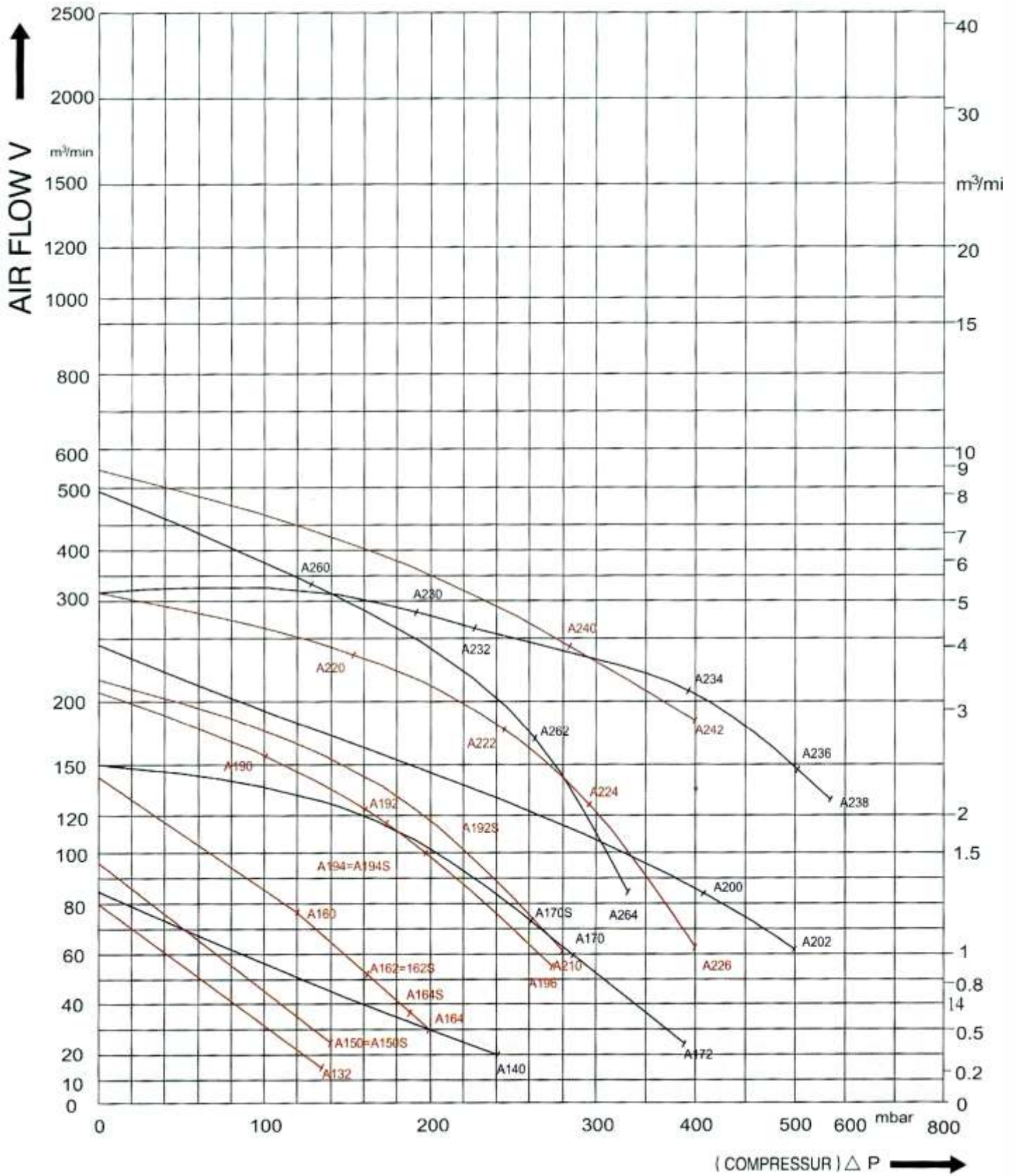


HP	OL	OW	OH	IN/OUT $\varnothing$	PCD	A	B	C	D	E
<b>0.5</b>	255	240	245	40	138	70	83	210	88	40
<b>1</b>	270	290	305	50	173	75	97	225	112	45
<b>2</b>	375	335	340	60	200	85	115	260	115	55
<b>3</b>	400	370	385	60	242	105	140	290	125	45
<b>5</b>	465	370	385	60	242	110	140	290	125	45
<b>7.5</b>	510	440	465	75	285	120	170	355	150	60
<b>10</b>	530	435	460	75	285	140	170	350	155	60

All Dimensions are in mm

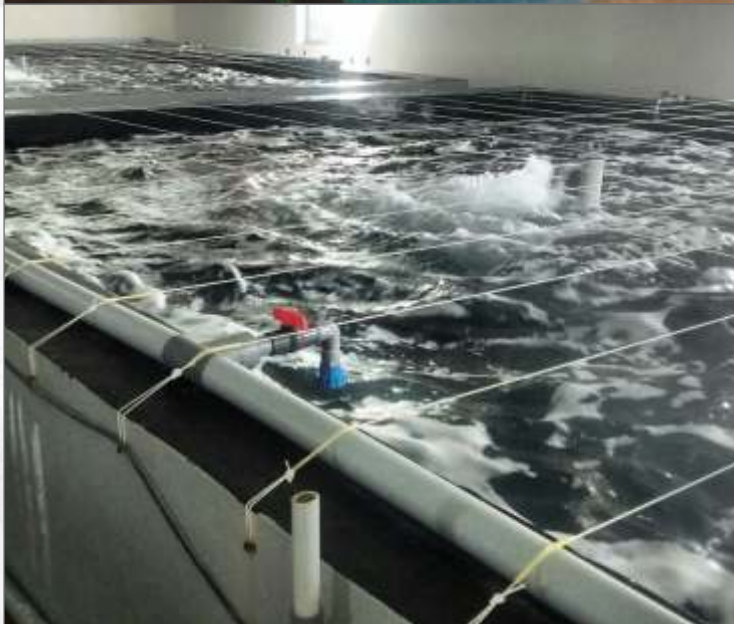


# Dimensional View





# APPLICATIONS





# OUR OTHER PRODUCTS



**Air knife**



**Axial Fan Blower**



**Centralized Vacuum Cleaner**



**Wet And Dry Vacuum Cleaner**



**CNC Oil Mist Collector**



**Dust collector**



**Hopper Loaders**



**Hot air Blower**



**Oil Sump Cleaner**



**Paint Booth**



**Centrifugal Blower**



**Welding Fume Extractor**



**Three phase dry Vacuum Cleaner**



**Industrial Vacuum Cleaner wet & Dry**



**Trim Suction Unit**



**Wood Dust Collector**



## Government of India Ministry of Finance

**CERTIFICATE  
OF APPRECIATION**

The Central Board of Indirect Taxes and Customs conveys its appreciation to M/s **CLEANTEK** having GST registration number **33AMCPB0547M1ZD** for their prompt filing of returns and payment of Goods and Services Tax upto the year ending 31<sup>st</sup> March 2021, thereby substantially contributing to building a strong and resilient nation.

**M. Ajit Kumar**  
Chairman (CBIC)

Sl.No.	DESCRIPTION	CLEANTEK
1	Date Of Registration of Establishment	07 – 09 - 2006
2	Founder & Chief Executive	A. Krishnamoorthy
3	Experience In this Field	25 Years
4	Date Of Registration of Establishment	Own Building   Own R & D   Own Manufacturing Facility Assembly & Testing Facility   New Developments Support Sales & marketing   Installation & Service Support Team
5	Number Of Employees	50+
6	Installation	Satisfied clients 10,000 +
7	Head Quarters	Coimbatore
8	Certification	An ISO 9001-2015
9	Quality	Organized & Quality Management System
10	Branches	Chennai , Bengaluru, Coimbatore
11	Membership	CODISSIA, SIEMA, ICCI, BIEOA
12	Registered in Govt	ESI, EPF, NSIC
13	Trade mark	Registered
14	Industry	MSME



# THANKS FOR OUR VALUABLE CUSTOMERS

**DRESSER-RAND**  
A Siemens Business



**FLOWSERVE**

**MAHLE**



**Craftsman**  
OUTSIDER TOOLS

**ELGI**  
Always Better.

**MRF**



**Kanam**  
KANAM LATES INDUSTRIES PVT LTD



WHEELS INDIA LIMITED

**KYB**  
Our Precision. Your Advantage



Bros India Private Limited

**HANON**  
SYSTEMS

**MITSUBA**  
MITSUBA SICAL India Private Limited



**Rane**  
Expanding Horizons



**Astrotech Steels**  
Private Limited

**DOOWON**

**L&T Valves**

**JK Fenner**

**BOSCH**

**EVEREST**



**ROYAL ENFIELD**

**TEAL**

Shobikaa  
DuraNet



**TITAN**



**JANATICS**  
Pneumatic



**COMSTAR** **PLAST**

**IDEX**

**KOHLER**

**WOOSU** INDIA



**PREMIER**  
eXOLICS

**BONFIGLIOLI**  
Power & Control Solutions

**Suprajit**

More than 6000+  
customers all over India & Abroad



CLICK HERE FOR OUR  
FACEBOOK PAGE



[www.cleantekindia.com](http://www.cleantekindia.com)



CLICK HERE FOR OUR  
DEMO VIDEOS



+91 9500266693

+91 9994352001 | +91 9894214994



0422-2984994



[sales@cleantekindia.com](mailto:sales@cleantekindia.com) | [krishna@cleantekindia.com](mailto:krishna@cleantekindia.com)



## COIMBATORE

Head Office

# 479/4, Site No.22 & 23,  
Balaji Industrial Estate,  
Kondagampalayam Main Road,  
Keeranatham, Saravanampatti Po,  
Coimbatore - 641 035,  
Tamil Nadu, India.



## BANGALORE

Branch Office

C-13, 3rd Floor,  
Resident No: 251, Malur Ramaiah  
Compound, Jaibheema Nagar,  
1st Cross, BTM Layout,  
1st Stage Old Madiwala,  
Bangalore-560 068, India



## CHENNAI

Branch Office

4th Main Rd, Moovendar Nagar,  
Bharathi Nagar, Tambaram,  
Chennai,  
Tamil Nadu-600063, India